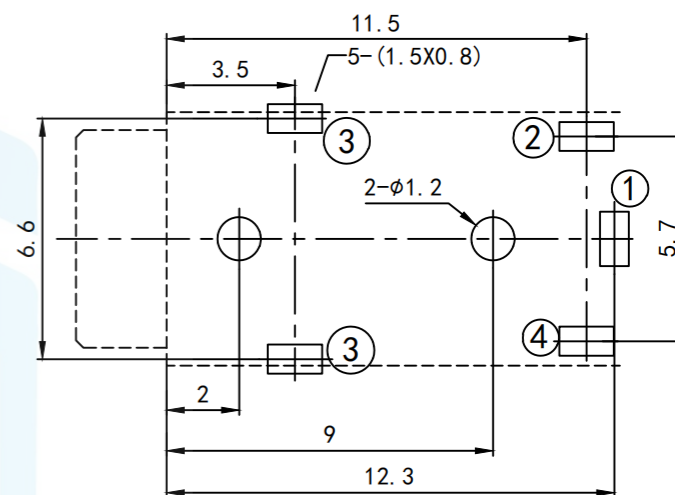
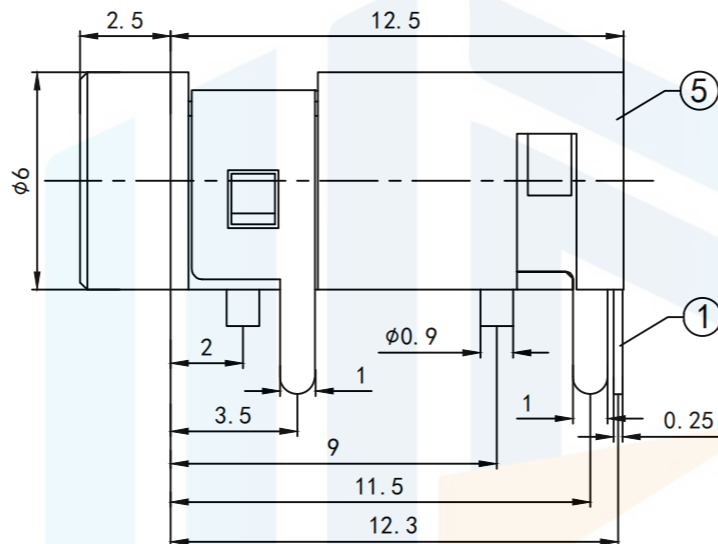
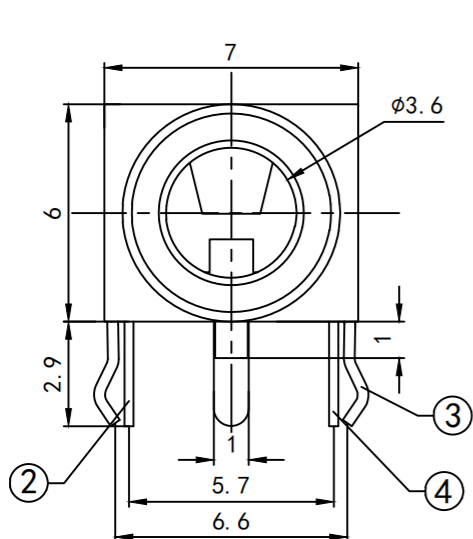
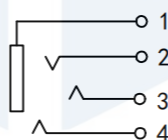


RoHS2.0
Compliant

P. C. B
LAYOUT



SCHEMATIC



1	基座	1	PBT	
1	弹片	1	BRONZE	镀银
1	接触脚	1	BRONZE	镀银
1	弹片	1	BRONZE	镀银
1	弹片	1	BRONZE	镀银
序号	名称	数量	材料	电镀

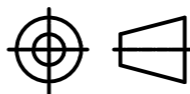
Main technical performance

1. Rated electrical load: DC 30V 0.2A;
2. Contact resistance: $<0.03\Omega$;
3. Absolute edge electrical resistance: $>100\text{ M}\Omega$
4. Withstand voltage: AC 500V (50Hz)min;
5. Insertion and withdrawal force: 3-20N;
6. Life: 5,000 times.

TOLERANCE

X. XXX	± 0.05
X. XX	± 0.15
X. X	± 0.20
X.	± 0.30
ANGLE	$\pm 5.0^\circ$

PROTECTON



东莞市恒祺电子科技有限公司

Dongguan Hengqi Electronic Technology Co., Ltd

<https://www.hq-dz.com>

phone:15812872448

TITLE:

耳机插座

PART NO: PJ-322

DRAWING NO: 15*7*6

DRAWN:

DATE:

18-10-08

UNIT:
mm

CHECKED:

DATE:

18-10-08

SCALE:
FULL

APPROVED:

DATE:

18-10-08

SIZE:
A4