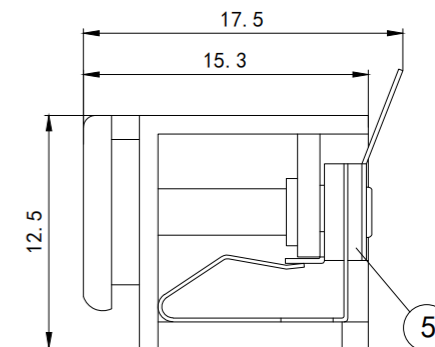
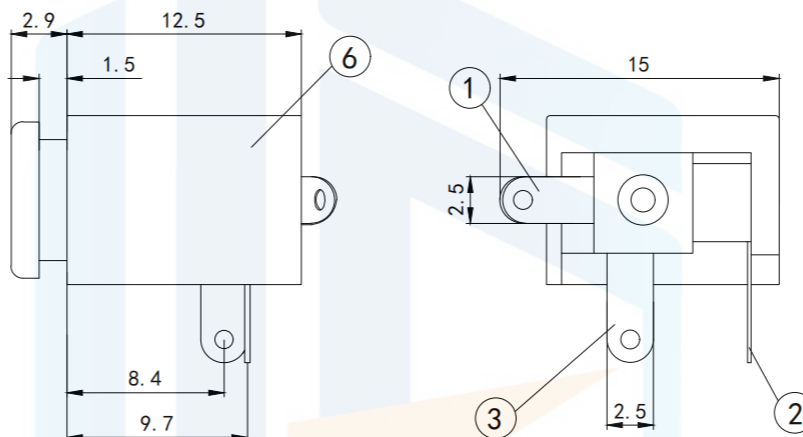
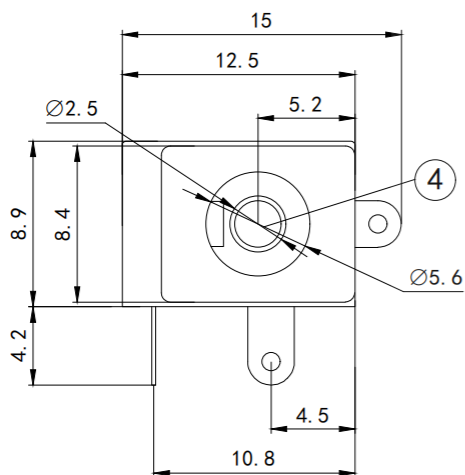
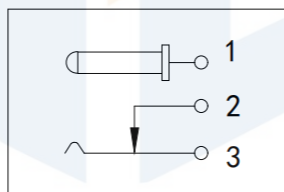


RoHS2.0  
Compliant




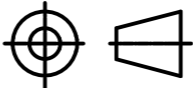
Schematic diagram of the circuit



TOLERANCE: UNLESS OTHERWISE SPECIFIED		
UNOER 1.5±0.1	1.5~10±0.2	OVER 10±0.3

Technical requirements

1. Rated load: DC 30V 0.5A
2. Contact resistance:  $\leq 0.03 \Omega$
3. Insulation resistance:  $\geq 100 \Omega$  DC250V
4. Withstand voltage: AC 500V (50Hz)/min
5. Insertion force: 3~20N
6. Mechanical life: 5000 times
7. Use strip see:  $-16 \sim 65^\circ\text{C}$

<b>TOLERANCE</b> X. XXX $\pm 0.05$ X. XX $\pm 0.15$ X. X $\pm 0.20$ X. $\pm 0.30$ ANGLE $\pm 5.0^\circ$		<b>东莞市恒祺电子科技有限公司</b> Dongguan Hengqi Electronic Technology Co., Ltd	
		<a href="https://www.hq-dz.com">https://www.hq-dz.com</a> phone: 15812872448	
<b>PROTECTON</b> 	<b>DRAWN:</b>	<b>DATE:</b> 18-10-08	<b>UNIT:</b> mm
	<b>CHECKED:</b>	<b>DATE:</b> 18-10-08	<b>SCALE:</b> FULL
	<b>APPROVED:</b>	<b>DATE:</b> 18-10-08	<b>SIZE:</b> A4

1. Rated load: DC 30V 0.5A

2. Contact resistance:  $\leq 0.03 \Omega$

3. Insulation resistance:  $\geq 100 \Omega$  DC250V

4. Withstand voltage: AC 500V (50Hz)/min

5. Insertion force: 3~20N

6. Mechanical life: 5000 times

7. Use strip see:  $-16 \sim 65^\circ\text{C}$