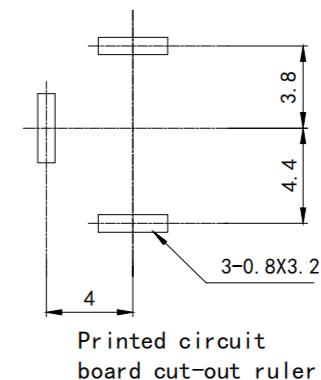
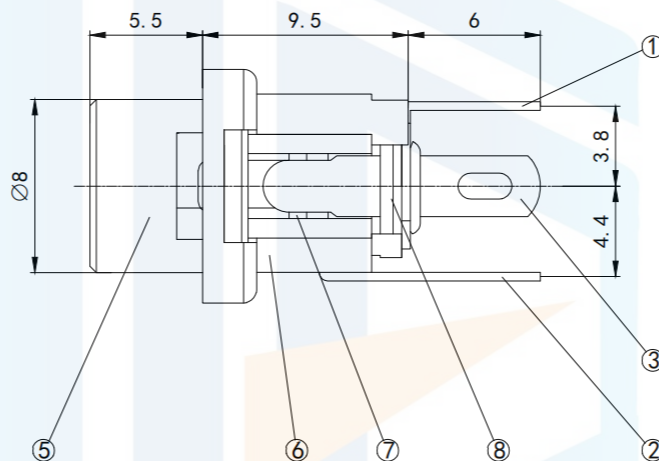
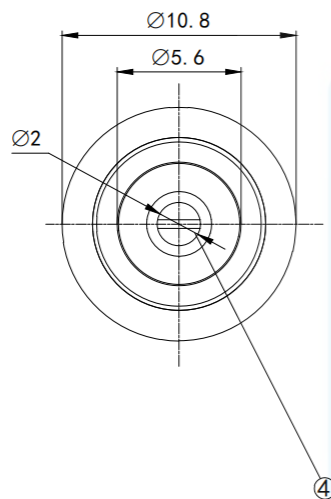


RoHS2.0  
Compliant



Main technical requirements:

1. No Linear Tolerance:

0.0-10.0mm ±0.10mm

10.0-20.0mm ±0.15mm

20.0-50.0mm ±0.20mm

2. The appearance should be good, without rust, cracks, poor electroplating and other phenomena.

Technical requirements

1. Rated load: DC 50V 0.2A

2. Contact resistance: ≤0.03 Ω

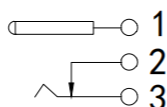
3. Insulation resistance: ≥100 Ω DC250V

4. Withstand voltage: AC 500V (50Hz)/min

5. Insertion force: 3~20N

6. Mechanical life: 5000 times

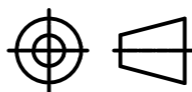
SCHEMATIC



TOLERANCE

X. XXX	±0.05
X. XX	±0.15
X. X	±0.20
X.	±0.30
ANGLE	±5.0°

PROTECTON



东莞市恒祺电子科技有限公司

Dongguan Hengqi Electronic Technology Co., Ltd

<https://www.hq-dz.com>

phone:15812872448

TITLE:

DC电源插座

PART NO:DC-025

DRAWING NO:9.5\*5.5\*6

DRAWN:

DATE:

18-10-08

UNIT:  
mm

CHECKED:

DATE:

18-10-08

SCALE:  
FULL

APPROVED:

DATE:

18-10-08

SIZE:  
A4