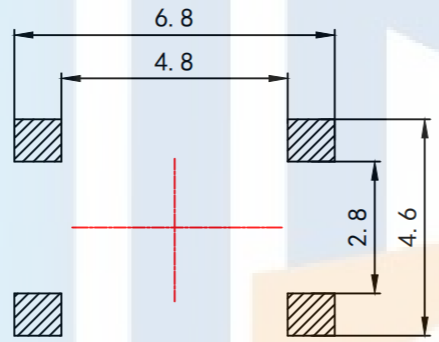
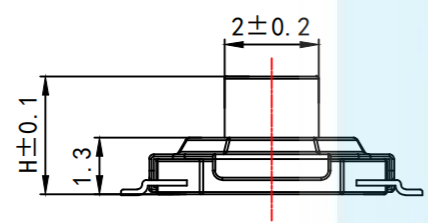
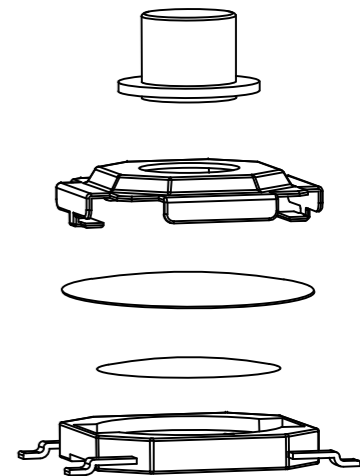
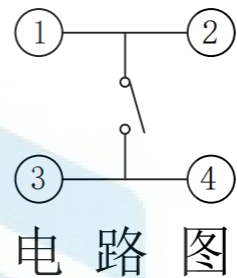
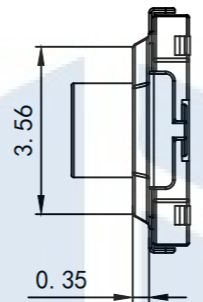
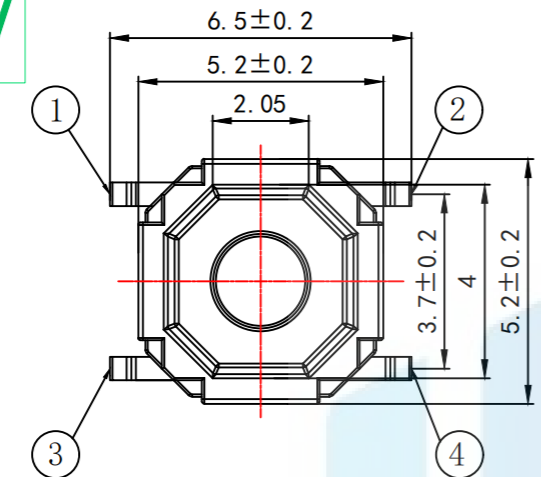


RoHS2.0
Compliant

H	
1.5	1.6
1.7	1.8
1.9	2.0
2.5	3.0
3.5	3.7
4.0	4.3
4.5	5.0
5.5	6.0
6.5	7.0
7.5	8.0



PCB. 焊接图

Key Technical Specifications:

1. Rating: 50mA DC12V
2. Contact resistance: $\leq 50 \Omega$
3. Operating force: $160 \pm 30gf$ & $250 \pm 50gf$
4. Itinerary: $0.20 \pm 0.1mm$
5. Insulation resistance: $\geq 100M\Omega$
6. Electrical strength: 250V 50HZ 1Min.
7. life span: 500,000 Cycles

TOLERANCE	X. XXX	± 0.05		东莞市恒祺电子科技有限公司		
	X. XX	± 0.15		Dongguan Hengqi Electronic Technology Co., Ltd		
	X. X	± 0.20	https://www.hq-dz.com		phone: 15812872448	
	X.	± 0.30	TITLE: 轻触开关		PART NO: HQ-TS-C005	
	ANGLE	$\pm 5.0^\circ$	DRAWING NO: 5.2*5.2*H			
PROTECTON		DRAWN:		DATE:	18-10-08	UNIT: mm
		CHECKED:		DATE:	18-10-08	SCALE: FULL
		APPROVED:		DATE:	18-10-08	SIZE: A4