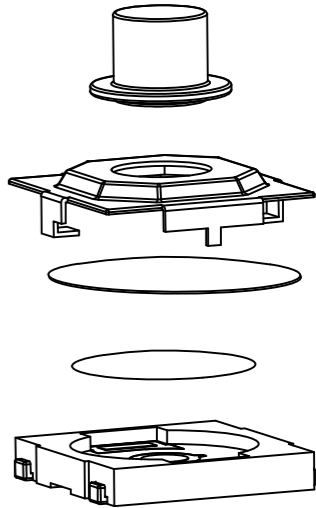
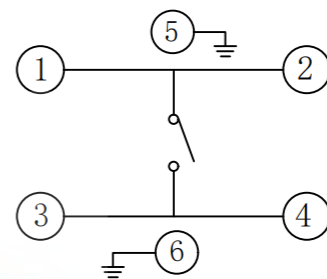
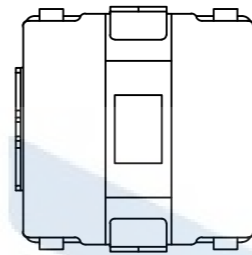
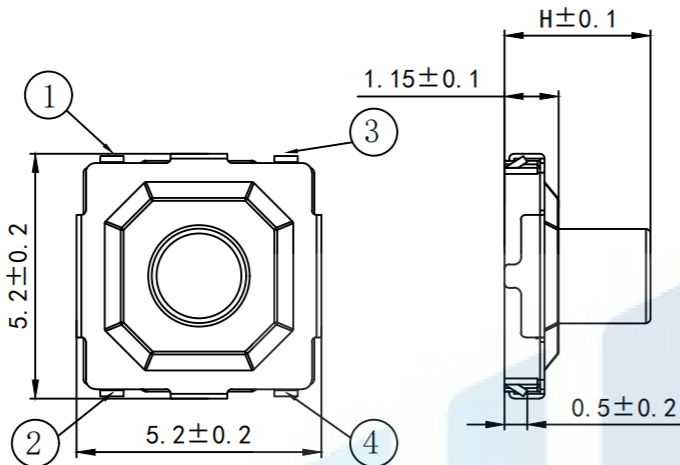
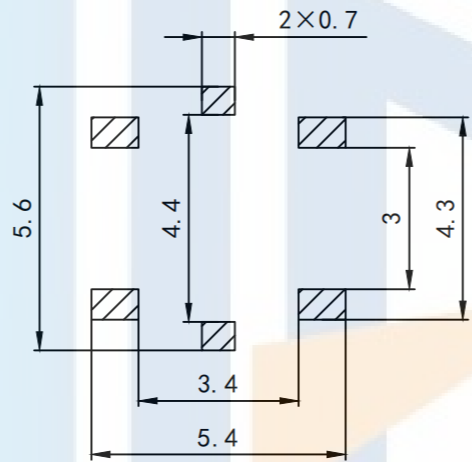
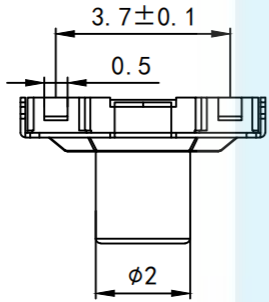


RoHS2.0  
Compliant ✓

H	
1.5	1.6
1.7	1.8
1.9	2.0
2.5	3.0
3.5	3.7
4.0	4.3
4.5	5.0



电路图



PCB. 焊接图

Key Technical Specifications:

1. Rating: 50mA DC12V
2. Contact resistance: ≤50Ω
3. Operating force: 180±30gf&250±30gf
4. Itinerary: 0.20±0.1mm
5. Insulation resistance: ≥100MΩ
6. Electrical strength: 250V 50HZ 1Min.
7. life span: 1000,000 Cycles

TOLERANCE			东莞市恒祺电子科技有限公司 Dongguan Hengqi Electronic Technology Co., Ltd		
X. XXX	±0.05		https://www.hq-dz.com		phone:15812872448
X. XX	±0.15	TITLE: 轻触开关		PART NO:HQ-TS-C009	
X. X	±0.20			DRAWING NO:5.2*5.2*H U脚	
X.	±0.30			DATE:	18-10-08
ANGLE	±5.0°			DATE:	18-10-08
PROTECTON		DRAWN:		DATE:	18-10-08
		CHECKED:		DATE:	18-10-08
		APPROVED:		DATE:	18-10-08
				UNIT:	mm
				SCALE:	FULL
				SIZE:	A4